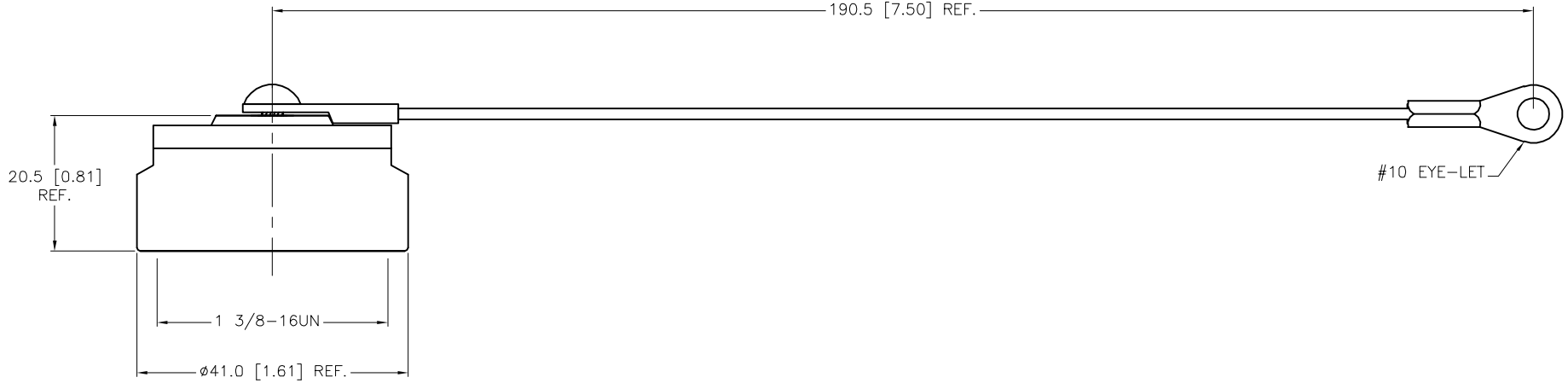
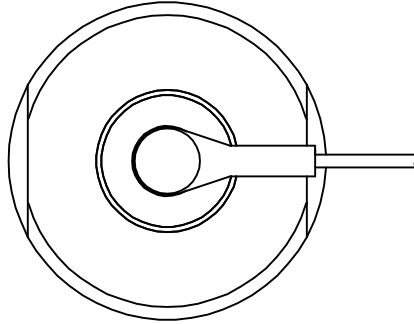

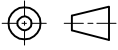


SPECIFICATIONS

CAP MATERIAL/PLATING	BRASS/NICKEL
HARDWARE MATERIAL	STAINLESS STEEL
LANYARD MATERIAL	STAINLESS STEEL/PVC COATED
GASKET	NITRILE



SOURCE DRAWING - FOR REFERENCE ONLY

RELATED DOCUMENTS		3RD ANGLE PROJECTION		THIS DRAWING IS CONFIDENTIAL AND THE PROPERTY OF TURCK INC. USE OF THIS DOCUMENT WITHOUT WRITTEN PERMISSION IS PROHIBITED.		 3000 CAMPUS DRIVE MINNEAPOLIS, MN 55441 1-800-544-7769 (763) 553-7300 (763) 553-0708 fax www.turck.us	
1. 2. 3. 4.				DRFT	RDS	DATE	12/17/08
MATERIAL		ALL DIMENSIONS DISPLAYED ON THIS DRAWING ARE FOR REFERENCE ONLY		APVD		SCALE	1=1.0
SEE SPECIFICATIONS		CONTACT TURCK FOR MORE INFORMATION		UNIT OF MEASUREMENT		DESCRIPTION	
FINISH		SEE SPECIFICATIONS		MILLIMETER [INCH]		GKDF-CC	
				DO NOT SCALE THIS DRAWING		IDENTIFICATION NO.	
						U2-14836	
						REV	
						D	
D UPDATE PER ECO		NF	08/08/23	500000008605		FILE: U2-14836	
REV DESCRIPTION		BY	DATE	ECO NO.		SHEET 1 OF 1	

D	UPDATE PER ECO	NF	08/08/23	500000008605
REV	DESCRIPTION	BY	DATE	ECO NO.